

1473 SERIES CRANK UP LIFT SYSTEM

TELESCOPING POSTS

	3 STA	4 STA
A INNER POST	3/4	3/4
B MIDDLE POST	1	1 & 1/4
C OUTER POST	1 1/4	1 1/2

Grease Zerks on Front Bottom & Back Top of Master Tube

Spring Tubes Front Door Side & Front Roadside

Master Tube Brackets (R)

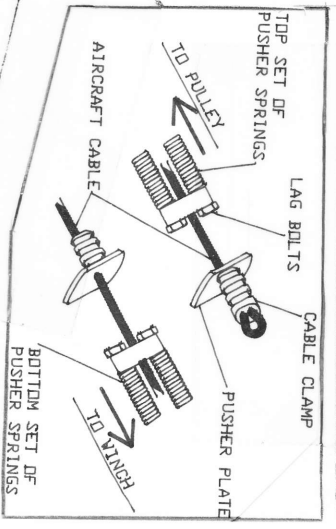
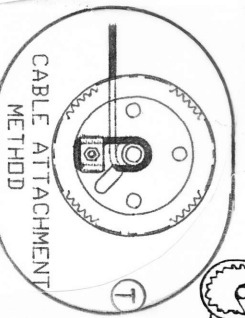
Safety Post - User Should Snap On Opposite Corner Posts When Top Is Up

Spring (P)

Spring Tube - Rear Door Side & Rear Roadside (N)

Adjustable Pulley (M) Of Roof Note: To Lower Rear Adjust Pulley Forward. To Raise Rear Adjust Pulley Back.

52" Master Tube For 3 Stage Post
 55" Master Tube for 4 Stage Low Profile



Roof Bracket with Bolt & Locknut (D)

Aircraft Cable (T)

Crank Handle (E)

Hub w/3"Ext. (F)

Washer (G)

Winch (H)

Bolt, Nut Lockwasher (I)

Cable Keeper (J)

Tie Bar (K)

(L)

